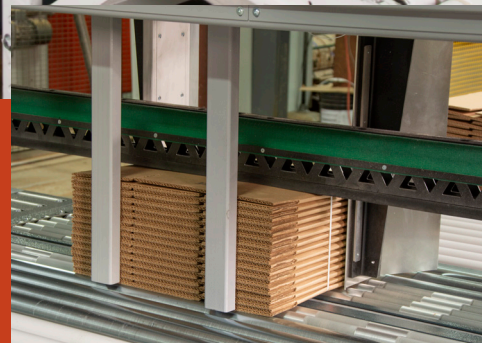


SIG-VCS



SIG-VCS

Automatic squaring bundler

High-speed Bundling

Up to 32 bundles per minute to maximize production capacity

Lowest Cost of Ownership

Robust machine design coupled with low maintenance simplicity to minimize costs

Operator-friendly

Intuitive icon-driven controls enable fast bundle set-up

Maximum Uptime

XL coils, quick-change dispensers, auto-bundle teach and auto-refeed technology minimize downtime for continuous strapping



SIG-VCS

Automatic squaring bundler



The SIG-VCS automatic squaring bundler provides high speed bundling capabilities. The VCS comes complete with a range of features to ensure continuous strapping and maximum uptime.

Features and benefits

■ Minimizes production interruptions

The SIG-VCS has standard built-in features to keep production downtime to a minimum. Set-up time can be performed in under a minute or faster with the auto-bundle teach option. Extra long strap coils with nearly 42% more strap coupled with quick-change dispensers reduce coil changeover frequency and downtime.

■ Simplifies maintenance requirements

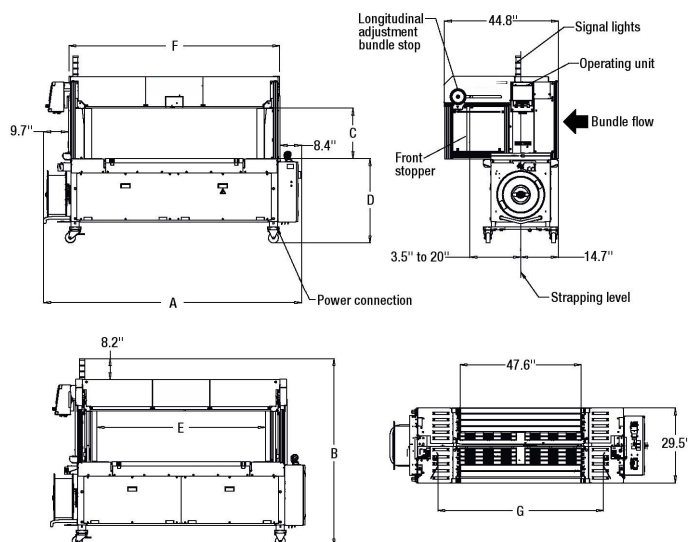
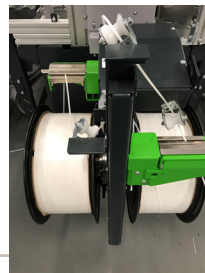
For easy troubleshooting, the SIG-VCS is equipped with patented easy access strap guides that require no tools for entry. Plus, a segmented strap chute with a lifetime warranty on the flaps and one wear part eliminate costly repairs and maintenance downtime. Service interval notifications alert operators to scheduled machine maintenance recommendations.

■ Provides production versatility

The SIG-VCS can accommodate production changes quickly and easily. Integrated features for low-tension packages like a low-tension setting and strap ejector help ensure maximum package reliability despite changing production needs.

SIG-VCS options

- Automatic bundle stops
- Auto-bundle teach
- Spare magnetic strap dispenser
- Spare parts kit
- Industrial interlock kit
- High leg kit (40" to 49")
- Low leg kit (25.2" to 31")
- Dual coils with automatic strap change



SIG-VCS Technical Specifications

Cycle Rate Per Minute* (Max)	Up to 32 bundles without squaring Up to 25 bundles with squaring
Conveyor Speed	Variable from 0.19 m to 0.98 m (.65 to 3.2 ft/sec)
Strap Tension	Variable up to 311 N (70 lbs)
Strap Material	Polypropylene 5 mm embossed
Strap Seal Method	Heat seal
Electrical Requirement	460 Volt, 16 AMP, 60 Hz
Environmental Condition	+5° to +45° Celsius (40° to 110° Fahrenheit)

* Based on package size L 300 mm x W 250 mm x H 250 mm, conveyor speed 0,8 m/s, strap tensioning setting 3

Machine Dimensions

	SIG-VCS 1650
Frame Size W X H	1650 mm x 600 mm (65" x 23")
Part Number	x55004
Total Width Including Strap Coil	A 2566 mm (101")
Total Height	B 2032 mm to 2260 mm (80" to 89")
Inner Frame Height With Press Bar	C 500.38 mm (19.7")
Tabletop Height	D 787.4 mm to 1016 mm (31" to 40")
Front Stopper Distance	E 152.4 mm to 1676.4 mm (6" to 66")
Arch Width	F 2110.74 mm (83.1")
Squaring Plate Difference	G 115 mm to 1650 mm (4.4" to 65")
Weight	776 kg (1710 lbs)
Bundle Width	100 mm to 1650 mm (3.9" to 65")
Bundle Height	20 mm to 480 mm (0.8" to 18.9")
Bundle Length	150 mm 2500 mm (6" to 98.4")
Bundle Weight (Max)	50 kg (110 lbs)